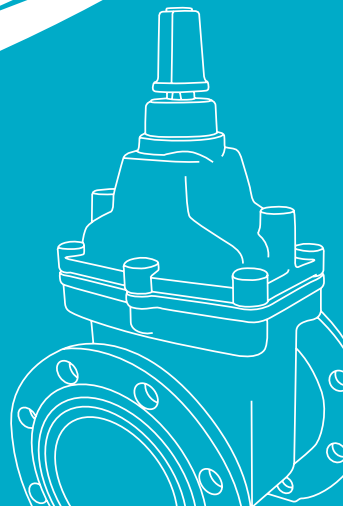




# Eco Valve™





Radius Flow Control, a manufacturer of innovative Gate Valves for Water and Gas flow control solutions, are part of Radius Systems Ltd, one of the largest PE Pipe and Fittings manufacturer in the Industry, is based in the United Kingdom. Our Valves, the Aeon Brand, have successfully been supplied world wide for many years. In Central and Eastern Europe, Radius Flow control is represented by Aeon International (Europe) Sp. z o. o.

## Introducing the new EcoValve

For many years, we have cooperated with dedicated suppliers of approved components and coatings who deliver high quality products.

We believe that by using high quality components we can increase the efficient and safe operation of our valves, which in turn will make a positive contribution to preserving our natural resources such as water and gas, and promote a cleaner environment. This is why we place great emphasis on safety, durability and ease of use, when we develop our valve solutions.

Colour coded blue for water applications, our EcoValve™ are internally and externally protected with a minimum epoxy coating thickness of 250 microns for optimum corrosion resistance. For challenging environments, bespoke valves with higher grade components can be manufactured on request.

Easy to install and operate, the Aeon EcoValve™ are approved to international standards for water applications and are supplied with a traceability barcode, to maximise visibility within the supply chain.

### APPLICATION

Drinking water, wastewater treatment and other non-aggressive fluids with maximum temperature of 70°C.

### PRESSURE TESTS

Tested in accordance with the following water standards:  
 EN 1074-1, 2:2002  
 EN 12266-1:2012  
 - leak tightness 1.5 x PN  
 - seat tightness 1.1 x PN  
 - seat tightness at low pressure 0.5 bar

### TECHNICAL DATA

**Nominal diameter:** DN40-DN600  
**Flange face to face dimensions:** EN 558 series 3 (BS), series 14 (F4), series 15 (F5)  
**Working pressure:** PN10 / PN16



## Features & Benefits

Body and wedge made from ductile iron  
EN-GJS 400-18 (GGG40), EN-GJS 500-7 (GGG50).

Full bore gate valves guarantee **smooth flow**, eliminating any possible obstruction (such as debris) during operation, whereas gate valves with grooves may be susceptible to obstruction.

Valve stem made from stainless steel X20Cr13 or SS316 and rolled with double start thread.

Wedge nut made from aluminium bronze material, ensuring **correct valve operation**.

The valve comprises 3 O-ring stem seals, which can be **replaced under pressure**.

Unique stem seal provides **perfect closure** during replacement of O-ring seal, under pressure.

The coating of the valves complies with DIN 30677 and EN 14901 and is also tested against EN 14901.

A minimum coating thickness of 250 microns is applied internally and externally.

Additional third party laboratory tests, including spray salt tests, were successfully carried out on the epoxy finish and thickness in line with European Standards and GSK requirements.

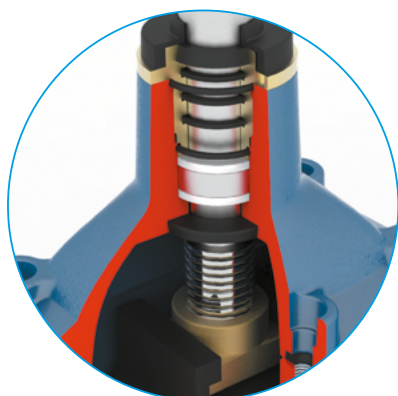
Stainless steel bolt prevents loosening of top bush.

Bonnet bolts made from stainless steel A2-70 are covered with a sealant to **prevent bolt head corrosion**.

EPDM **vulcanised wedge** approved to EN 681.

Wedge casting covered by a minimum rubber thickness of 1.5 mm.

Wedge guides made from abrasion resistant polymer coated with PTFE.



FULL TECHNICAL SPECIFICATIONS AVAILABLE  
IN OUR TECHNICAL DATASHEET.

# EcoValve™ gate valves

## EcoValve F4, DN 40 - DN 300

Option	DN	40	50	65	80	100	125	150	200	250	300
GGG40 available while stocks last	PN10								AD0510	AD0511	AD0512
	PN16	AD0500	AD0501	AD0502	AD0503	AD0504	AD0505	AD0506	AD0507	AD0508	AD0509
GGG50	PN10								AD0361	AD0362	AD0363
	PN16	AD0351	AD0352	AD0353	AD0354	AD0355	AD0356	AD0357	AD0358	AD0359	AD0360
Stem square		14.3	14.3	17.3	17.3	19.3	19.3	19.3	24.3	27.3	27.3
Weight kg		10	10.6	12.5	13.8	18	22	31.9	54.5	75.5	110



## EcoValve F5, DN 40 - DN 300\*

Option	DN	40	50	65	80	100	125	150	200	250	300
GGG50	PN10								AD0374	AD0375	AD0376
	PN16	AD0364	AD0365	AD0366	AD0367	AD0368	AD0369	AD0370	AD0371	AD0372	AD0373
Weight kg		10,6	11,8	12,2	14,4	20,2	32,7	34,8	64	87	146,4

## EcoValve F4, DN 350 - DN 600

Option	DN	350	400	450	500	600
GGG50	PN10	AD0312	AD0313	AD0314	AD0315	AD0316
	PN16	AD0317	AD0318	AD0319	AD0320	AD0321
Stem square		27,3	27,3	27,3	32,3	32,3
Weight kg		158	201	269	344	543



## EcoValve F5, DN 400 - DN 600\*

Option	DN	350	400	450	500	600
GGG50	PN10	-	AD0979	-	AD0980	AD0981
	PN16	-	AD0982	--	AD0983	AD0984
Weight kg		-	250,6	-	402	642

### Notes:

- GGG40 available while stocks last.

- Right hand closing (CC) as standard. Left hand closing (ACC) upon request.

\* EcoValve available in our offer range from September 2018.

## EcoValve™ gate valves for PCV pipes

DN	40	50	65	80	100	125	150	200	250	300
DS	50	63	75	90	110	125	160	200	250	315
PN16	AD0812	AD0813	AD0814	AD0815	AD0816	AD0817	AD0818	AD0819	AD0820	AD0821
L	225	238	284	298	326	326	390	422	473	541
Stem square	14,3	14,3	17,3	17,3	19,3	19,3	19,3	24,3	27,3	27,3
Weight kg	7,8	8	9,5	12	16	26	30	44	70	110



## EcoValve™ gate valves for PE pipes

DN	40	50	65	80	100	125	150	200	250	300
DS	50	63	75	90	110	125	160	200	250	315
PN16	AD0772	AD0773	AD0774	AD0775	AD0776	AD0777	AD0778	AD0779	AD0780	AD0781
L	275	288	299	328	356	362	430	456	503	571
Stem square	14,3	14,3	17,3	17,3	19,3	19,3	19,3	24,3	27,3	27,3
Weight kg	8,2	8,9	10	13	17,5	28	34	50	77	113



## EcoValve™ gate valves for iron pipes

DN	80	100	150	200
DS	100	120	172	224
PN16	AD0854	AD0855	AD0856	AD0857
L	288	306	338	390
Stem square	17,3	19,3	19,3	24,3
Weight kg	13	17	32	48



**Notes:**

DN- diameter, DS- pipe outside diameter.

EcoValve or PCV, PE end iron pipes available from 15 July 2018

**Special option - 300 microns coating**

# Service Valves

## Design Features

- The design allows operation with a closing / opening torque of up to 80 Nm.
- Gate Valves are supplied as standard with a wheel with Cap Top or Extension Spindle as an additional option
- Fully encapsulated (EPDM) brass wedge.
- Ductile iron construction with stainless steel stem.
- Three O-ring stem seals, protected with additional dust-seal.
- Epoxy coating with a minimum thickness of 250 micrometers.
- A special shape of connections enables ease of operation, with specifically designed tools.



### Dimensions

DN	20	25	32	40	50
	AC0390	AC0392	AC0394	AC0396	AC0398
L	122	127	127	154	154
Stem square	14	14	14	14	14
Weight kg	3,5	3,8	4,3	4,8	5,6



### Optional connector from stainless steel

DN	20	25	32	40	50
	AP476	AP477	AP478	AP479	AP480
L 1	42,5	47,5	50,5	54,5	60,5
G	BSP 3/4"	BSP 1"	BSP 1" 1/4	BSP 1 1/2"	BSP 2"

#### Notes:

Applying the connector gives GW\_GZ or GZ\_GZ gate valve.

# Extension Spindles

## Telescopic Extension Spindles

DN	Length [mm]	Weight [kg]	Product code
40-50	550-800	3.0	AA1056*
	800-1200	4.0	AA1057*
	1000-1650	4.5	AA1058*
	1400-2200	5.2	AA1059*
65-80	550-800	3.0	AA1062
	800-1200	4.0	AA1063
	1000-1650	4.5	AA1064
	1400-2200	5.3	AA1065
100 -150	550-800	3.0	AA1068
	800-1200	4.0	AA1069
	1000-1650	4.5	AA1070
	1400-2200	5.3	AA1071
200	550-800	3.5	AA1074
	800-1200	4.5	AA1075
	1000-1650	5.0	AA1076
	1400-2200	6.0	AA1077
250-300	550-800	3.5	AA1080
	800-1200	4.5	AA1081
	1000-1650	5.0	AA1082
	1400-2200	6.0	AA1083

Other sizes available on request.

\*Extension spindles are available for all service valves.

### Design Features

- Coating  
Black anticorrosion coating
- Benefit  
Ease of operation for below ground installations



# Extension Spindles

## Fixed Extension Spindles

DN	Length [mm]	Weight [kg]	Product code
40-50	700	3.0	AA1236*
	1000	4.0	AA1237*
	1250	4.5	AA1238*
	1500	5.2	AA1239*
65-80	700	3.0	AA1242
	1000	4.0	AA1243
	1250	4.5	AA1244
	1500	5.3	AA1245
100 -150	700	3.0	AA1248
	1000	4.0	AA1249
	1250	4.5	AA1250
	1500	5.3	AA1251
200	700	3.5	AA1254
	1000	4.5	AA1255
	1250	5.0	AA1256
	1500	6.0	AA1257
250-300	700	3.5	AA1260
	1000	4.5	AA1261
	1250	5.0	AA1262
	1500	6.0	AA1263

Other sizes available on request.

\*Extension spindles are available for all service valves.

### Design Features

- Coating  
Black anticorrosion coating
- Benefit  
Ease of operation for below ground installations





# Hand Wheels

## Design Features

- Coating  
Blue epoxy coating 250 microns
- Application  
To open and close valves
- With screw and stainless steel coaster.



## Dimensions

DN	40	50	65	80	100	125	150	200	250	300	350	400	500	600
OD	180	180	220	220	250	250	300	400	500	500	600	600	800	800
Product code	AA2067	AA2067	AA2068	AA2069	AA2070	AA2070	AA2071	AA2072	AA2073	AA2073	AA2074	AA2074	AA2075	AA2075
Square [mm]	14	14	17	17	19	19	19	24	27	27	27	27	32	32
Weight [kg]	1.2	1.2	1.2	1.2	1.3	1.3	2.2	4.1	5.0	5.0	6.0	6.0	7.1	7.1

OD - outside wheel diameter. Square - center square dimension.  
Available from July 2018.

## Design Features

- Coating  
Black epoxy coating 250 microns
- Application  
To open and close valves
- With screw and stainless steel coaster.



## Dimensions

DN	40	50	65	80	100	125	150	200	250	300
OD	180	180	220	220	250	250	300	400	500	500
Product code	BV0030	BV0030	BV0031	BV0032	BV0033	BV0034	BV0034	BV0035	BV0036	BV0036
Square [mm]	14	14	17	17	19	19	19	24	27	27
Weight [kg]	0.8	0.8	0.8	1.7	1.6	2.7	2.7	3.3	4.8	4.8

OD - outside wheel diameter. Square - center square dimension.

# Cap tops

## Design Features

- Coating  
Galvanised Fe/Zn 12 c
- Application  
To open and close valves.



## Dimensions

DN	40-50	65-80	100	125	150	200	250	300
Product code	AA2400	AA2401	AA2402	AA2402	AA2402	AA2403	AA2404	AA2404

# Valve key

## Design Features

- Coating  
Black bituminous coating or blue FBE coating
- Application  
The valve key is designed to open and close valves, manholes and underground hydrants.



Product code	AA0000
Weight [kg]	8.5

# Surface Boxes

## Design Features

- Corrosion protection  
Asphalt coating / Plastic PEHD
- Application  
Designed for valve installations below ground.  
In paths, surfaced and non surfaced roads
- According to DIN 4056.



Cast iron



PEHD

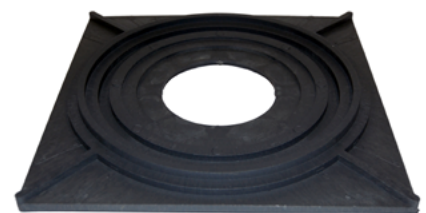
## Dimensions

	Surface Boxes from cast iron	Surface Boxes from PEHD
Product code	AA0501	AA0551
Weight [kg]	13	4

# Support tiles

## Design Features

- Material  
PEHD
- Application  
Stabilising support for below ground  
surface boxes




Product code	AA0561
Weight [kg]	0.9



# Fittings

Our range of Universal Fittings has been developed with an innovative design offering unique features, to benefit the water industry and end users during the installation.



## Technical details

**Maximum Working  
Pressure PFA:**  
16 bar/ PN16

**Working temperature:**  
Maximum +70°C

**Coating:**  
250 µm FBE coating,  
external and internal

**Approvals:**  
Hygienic Certificate PZH



# Universal coupling

**Application:**

Connecting pipes suitable for steel, cast iron, ductile iron, asbestos-cement and UPVC.  
The maximum axial deviation  $2x\pm 3^\circ$ .



## DN 50 - DN 600

DN	Code*	Code**	PN	Dz [mm]	Weight kg
50	AH7323	AH0035	PN10/PN16	59-73	5,4
65	AH7324	AH0036	PN10/PN16	72-85	6,1
80	AH7325	AH0037	PN10/PN16	88-103	7,6
100	AH7328	AH0038	PN10/PN16	109-128	8,8
125	AH7330	AH0039	PN10/PN16	132-146	10,5
150	AH7333	AH0040	PN10/PN16	159-182	12
200	AH7335	AH0041	PN10/PN16	218-235	20,5
225	AH7338	AH0042	PN10/PN16	250-267	26
250	AH7340	AH0043	PN10/PN16	272-289	26
300	AH7341	AH0044	PN10/PN16	315-332	28,4
300	AH7342	AH0045	PN10/PN16	322-339	30,5
350	AH7345	AH0046	PN10/PN16	374-391	65,1
400	AH7349	AH0047	PN10/PN16	417-437	81,5
450	AH7351	AH0048	PN10/PN16	480-500	89
500	AH7353	AH0049	PN10/PN16	526-546	93
600	AH7356	AH0050	PN10/PN16	630-650	101

\* Standard bolts from steel 8.8  
\*\* Bolts from stainless steel A2-70

# Universal Flange Adaptor

## Application:

Connecting pipes suitable for steel, cast iron, ductile iron, asbestos-cement and UPVC.  
The maximum axial deviation  $2x\pm 3^\circ$ .



## DN 50 - DN 600

DN	Code*	Code**	PN	Dz [mm]	Weight kg
50	AH7462	AH0186	PN10/PN16	59-72	4,2
65	AH7463	AH0187	PN10/PN16	72-85	5,4
80	AH7464	AH0188	PN10/PN16	88-103	6
100	AH7467	AH0189	PN10/PN16	109-128	7
125	AH7469	AH0190	PN10/PN16	132-146	8,8
150	AH7472	AH0191	PN10/PN16	159-182	11
200	AH7474	AH0192	PN10/PN16	218-235	14,6
225	AH7477	AH0193	PN10/PN16	250-267	20
250	AH7479	AH0194	PN10/PN16	272-289	21
300	AH7480	AH0195	PN10/PN16	315-332	22
300	AH7481	AH0196	PN10/PN16	322-339	22,6
350	AH7484	AH0197	PN10/PN16	374-391	43,3
400	AH7488	AH0198	PN10 i PN16	417-437	49,5
450	AH7490	AH0199	PN10 i PN16	480-500	62
500	AH7492	AH0200	PN10 i PN16	526-546	68,5
600	AH7495	AH0201	PN10 i PN16	630-650	85

\* Standard bolts from steel 8.8  
\*\* Bolts from stainless steel A2-70

# Universal Flange Adaptor for PVC and PE pipes

## Application:

Connecting pipes from PCV and PE.



## DN 50 - DN 300

DN	Code*	Code**	PN	Dz [mm]	Weight kg
50	AH0400	AH0441	16	63	3,8
60	AH0402	AH0442	16	75	5,0
80	AH0404	AH0443	16	90	5,9
100	AH0406	AH0444	16	110	9,8
100	AH0408	AH0445	16	125	8,8
125	AH0410	AH0446	16	125	9,2
150	AH0412	AH0447	16	160	15,2
150	AH0414	AH0448	16	180	16,5
200	AH0416/ AH0418	AH0449/ AH0450	10/16	200	17,0
200	AH0420/ AH0422	AH0451/ AH0452	10/16	225	20,6
250	AH0424 /AH0426	AH0453/AH0454	10/16	280	30,5
300	AH0428/ AH0430	AH0455/ AH0456	10/16	315	46,5

\* Standard bolts from steel 4.8

\*\* Bolts from stainless steel A2-70

# Stainless Steel Repair Clamp, One section type U



### Application:

Repair Clamps are used to repair broken or leaking pipelines.  
They are suitable for cast iron, ductile iron, steel, PE and UPVC pipe.

DN	Code EPDM	Code NBR	L [mm]**	PN	Dz [mm]	Application - DN RUR/PIPE						
						Steel DIN	Steel ISO	PVC/PE	Duc-tile Iron	AC PN10	AC PN12,5	AC PN16
20	AH1855	AH1813	100	PN16								
25	AH1856	AH1814	100	PN16								
32	AH1857	AH1815	100	PN16								
40	AH1858	AH1816	100	PN16								
50	AH1859 / AH1878	AH1817 / AH1836	200/300	PN16	55-62	50	50		40			
50	AH1860 / AH1879	AH1818 / AH1837	200/300	PN16	63-70			63	50			
65	AH1861 / AH1880	AH1819 / AH1838	200/300	PN16	75-82	65	65	75	65			
80	AH1862 / AH1881	AH1820 / AH1839	200/300	PN16	85-95	80	80	90				
80	AH1863 / AH1882	AH1821 / AH1840	200/300	PN16	98-107				80	80	80	
100	AH1864 / AH1883	AH1822 / AH1841	200/300	PN16	108-118	100	100	110	100			
100	AH1865 / AH1884	AH1823 / AH1842	200/300	PN16	120-130			125		100	100	100
125	AH1866 / AH1885	AH1824 / AH1843	200/300	PN10	130-140	125		140				
125	AH1867 / AH1886	AH1825 / AH1844	200/300	PN10	143-153				125	125	125	
150	AH1868 / AH1887	AH1826 / AH1845	200/300	PN10	159-170	150	150	160	150			
150	AH1869 / AH1888	AH1827 / AH1846	200/300	PN10	178-188			180		150	150	
175	AH1870 / AH1889	AH1828 / AH1847	200/300	PN10	190-200	175		200	175			175
200	AH1871 / AH1890	AH1829 / AH1848	200/300	PN10	215-225	200	200	225	200			
225	AH1872 / AH1891	AH1830 / AH1849	200/300	PN10	236-246	225			225	200	200	
250	AH1873 / AH1892	AH1831 / AH1850	250/300	PN10	265-275	250	250		250			
250	AH1874 / AH1893	AH1832 / AH1851	250/300	PN10	280-290			280		250		
275	AH1875 / AH1894	AH1833 / AH1852	250/300	PN10	290-300	275			275		250	
300	AH1876 / AH1895	AH1834 / AH1853	250/300	PN10	315-326	300	300	315	300			
300	AH1877 / AH1896	AH1835 / AH1854	250/300	PN10	346-360			355	325	300	300	

Notes:  
 \* Stainless steel 316 available on request  
 \*\* Other lengths available on request  
 \*\*\* Available execution without teflon coated  
 Nut – stainless steel A4-80 teflon coated.





**Aeon International (Europe) Sp. z o.o.**

ul. Powstańców Wielkopolskich 97  
64-500 Szamotuły, Polska

Tel.: +48 61 2932 307

Faks: +48 61 2932 375

E-mail: [info.eu@aeon-online.com](mailto:info.eu@aeon-online.com)

[www.aeonvalves.com](http://www.aeonvalves.com)

[www.aeonvalves.com](http://www.aeonvalves.com)

